



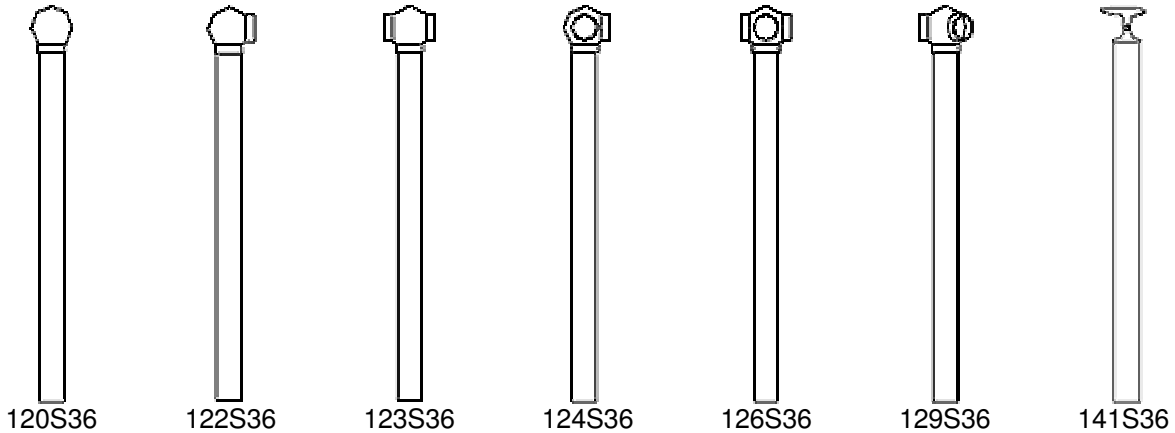
**318 W ADRIAN ST  
BLISSFIELD MI 49228**

**PHONE: 517-486-9999**

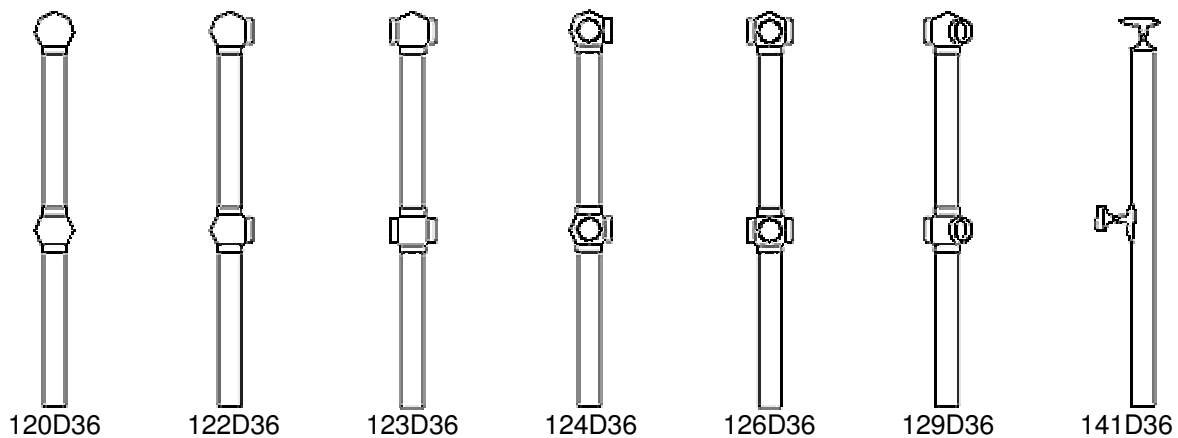
# RAILING POSTS

*Note:* All railing posts are 36" Tall

## BALL SINGLE LINE



## BALL DOUBLE LINE



*Note:* You must order one (1) post-assembly with each railing post you order.

### Part Numbers Formula

Model Number [308] + Material [PB] + Tube Size [20] = 308PB20

### Materials and Tube Sizes

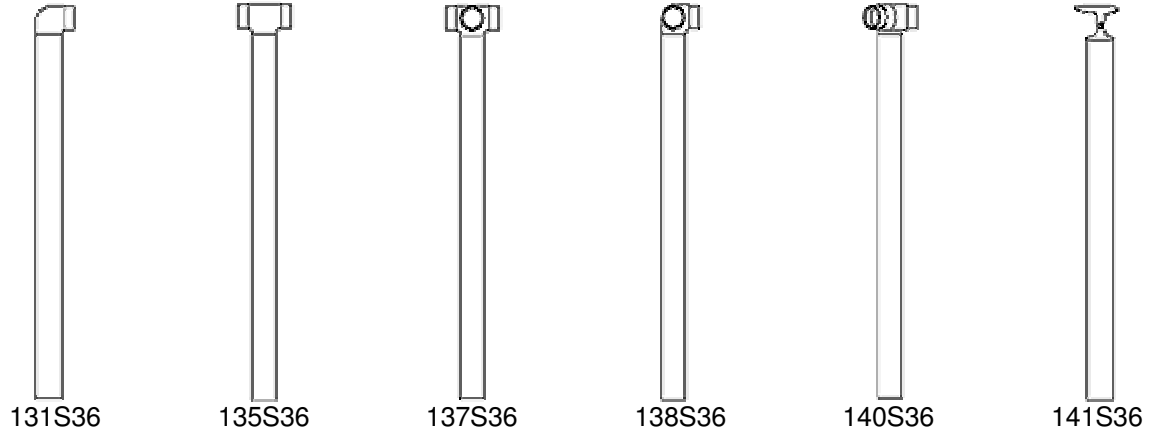
PB = Polished Brass | PS = Polished Stainless | PK = Polished Chrome

1 1/2" Tube = 15 | 2" Tube = 20 | 1/2" Channel = 12 | 3/8" Channel = 38

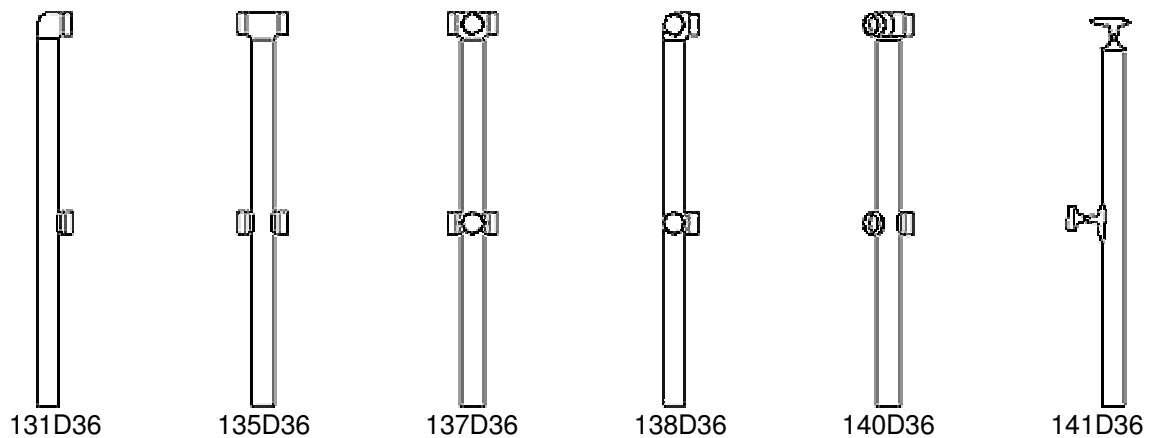
# RAILING POSTS

*Note:* All railing posts are 36" Tall

## FLUSH SINGLE LINE



## FLUSH DOUBLE LINE



*Note:* You must order one (1) post-assembly with each railing post you order.

### Part Numbers Formula

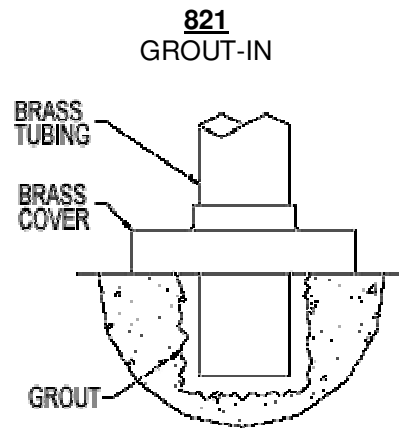
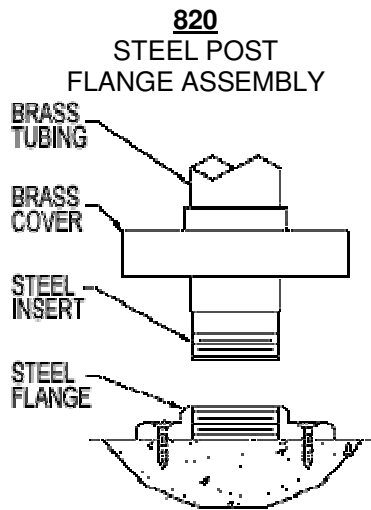
Model Number [308] + Material [PB] + Tube Size [20] = 308PB20

### Materials and Tube Sizes

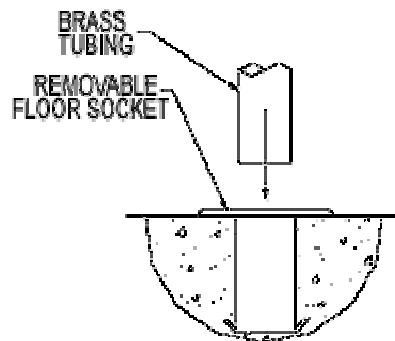
PB = Polished Brass | PS = Polished Stainless | PK = Polished Chrome

1 1/2" Tube = 15 | 2" Tube = 20 | 1/2" Channel = 12 | 3/8" Channel = 38

# POST-ASSEMBLY



**823**  
UNCARPETED  
REMOVABLE POST  
(PLUG NOT SHOWN)



*Note:* You must order one (1) post-assembly with each railing post you order.

## Part Numbers Formula

Model Number [308] + Material [PB] + Tube Size [20] = 308PB20

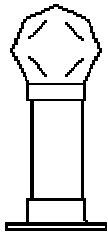
## Materials and Tube Sizes

PB = Polished Brass | PS = Polished Stainless | PK = Polished Chrome

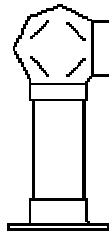
1 1/2" Tube = 15 | 2" Tube = 20 | 1/2" Channel = 12 | 3/8" Channel = 38

# BALL SHORT WALL POSTS

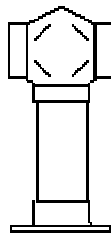
*Note:* Ball short wall posts can be 6" or 12" Tall



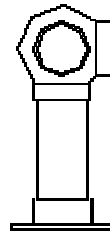
120S06



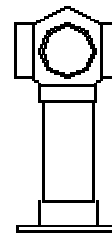
122S06



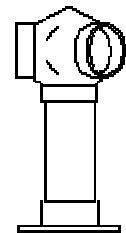
123S06



124S06



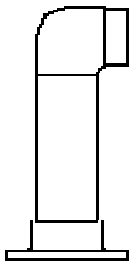
126S06



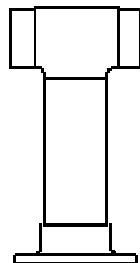
129S06

# FLUSH SHORT WALL POSTS

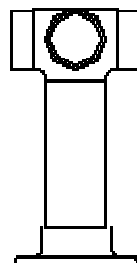
*Note:* Flush short wall posts can be 6" or 12" Tall



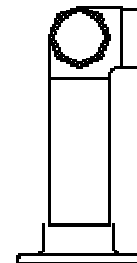
131S06



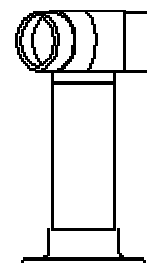
135S06



137S06



138S06



140S06

## Part Numbers Formula

Model Number [308] + Material [PB] + Tube Size [20] = 308PB20

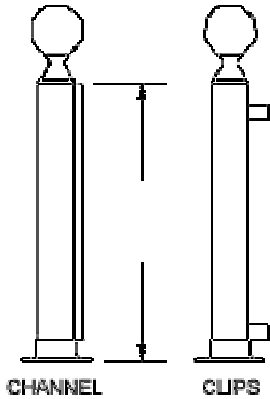
## Materials and Tube Sizes

PB = Polished Brass | PS = Polished Stainless | PK = Polished Chrome

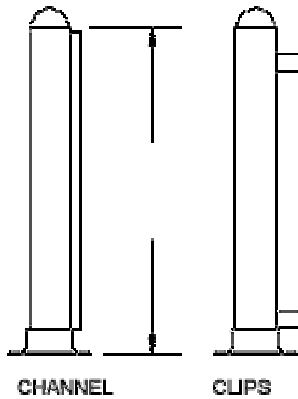
1 1/2" Tube = 15 | 2" Tube = 20 | 1/2" Channel = 12 | 3/8" Channel = 38

# GLASS WALL POSTS

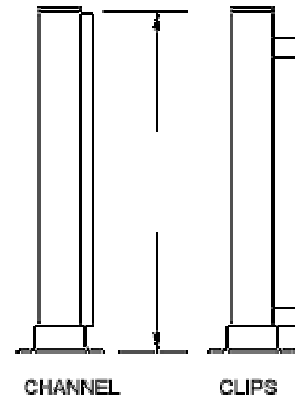
**270**  
POST WITH  
370 BALL TOP



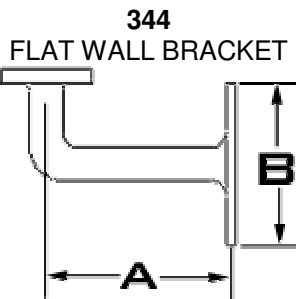
**278**  
POST WITH  
378 DOME  
END CAP



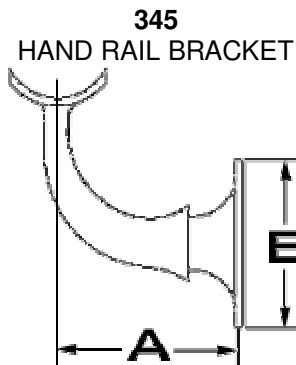
**280**  
POST WITH  
380 FLAT  
END CAP



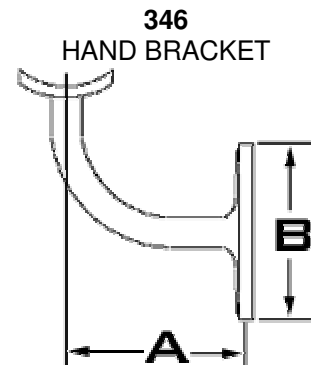
# HAND RAIL BRACKETS



A	B
2 1/2"	2 1/2"



	A	B
<b>2"</b>	3 5/8"	3 1/4"
<b>1 1/2"</b>	3 1/2"	3 1/4"



	A	B
<b>2"</b>	3"	2 3/8"
<b>1 1/2"</b>	2 1/4"	2 3/8"
<b>1 1/2"</b>	2 3/4"	2 3/8"
<b>1 1/2"</b>	3 1/2"	2 3/8"

## Part Numbers Formula

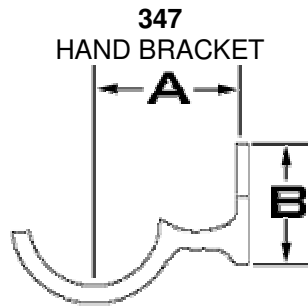
Model Number [308] + Material [PB] + Tube Size [20] = 308PB20

## Materials and Tube Sizes

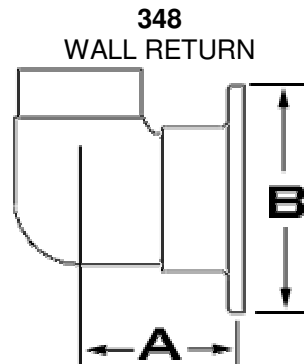
PB = Polished Brass | PS = Polished Stainless | PK = Polished Chrome

1 1/2" Tube = 15 | 2" Tube = 20 | 1/2" Channel = 12 | 3/8" Channel = 38

# HAND RAIL BRACKETS

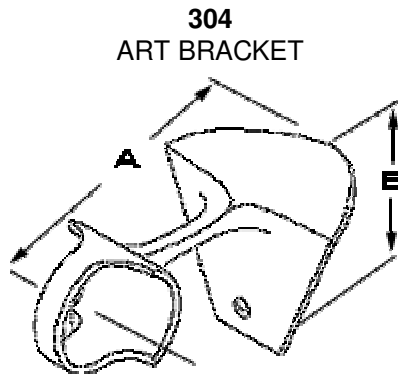


	A	B
<b>2"</b>	2 1/4"	1 1/2"
<b>1 1/2"</b>	2	1 3/8"

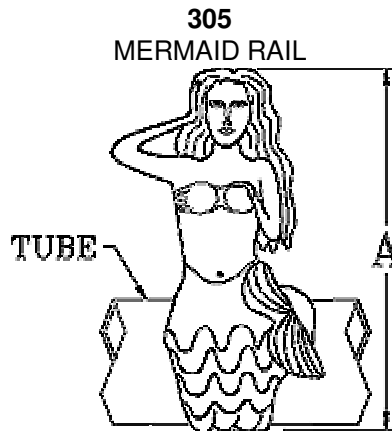


	A	B
<b>2"</b>	3"	4"
<b>1 1/2"</b>	2 1/4"	3"
<b>1 1/2"</b>	2 3/4"	3"
<b>1 1/2"</b>	3 1/2"	3"

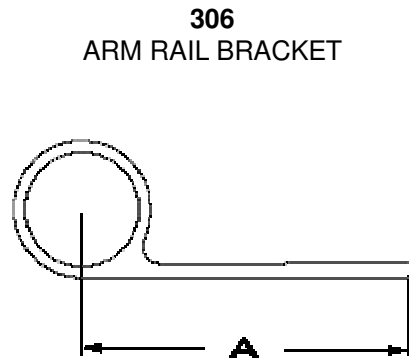
# ARM RAIL BRACKETS



	A	B
<b>2"</b>	5 3/4"	3 1/4"



	A
<b>2"</b>	6 1/2"



	A
<b>2"</b>	5 3/4"
<b>1 1/2"</b>	5 3/4"

## Part Numbers Formula

Model Number [308] + Material [PB] + Tube Size [20] = 308PB20

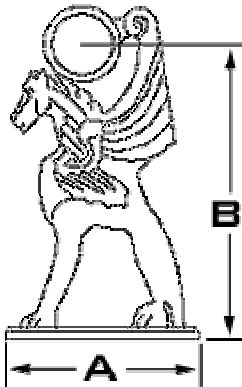
## Materials and Tube Sizes

PB = Polished Brass | PS = Polished Stainless | PK = Polished Chrome

1 1/2" Tube = 15 | 2" Tube = 20 | 1/2" Channel = 12 | 3/8" Channel = 38

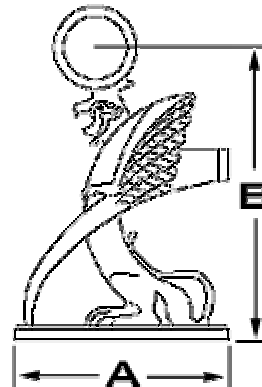
# FLOOR RAIL BRACKETS

**308**  
FLYING HORSE FOOT BRACKET



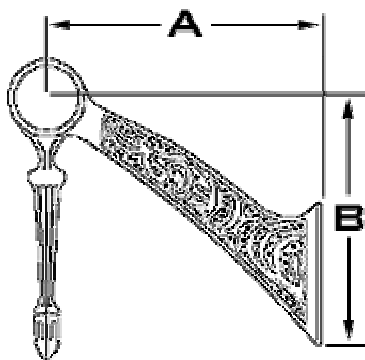
	A	B
2"	6 3/4"	9 1/2"

**309**  
GRIFFIN FOOT BRACKET



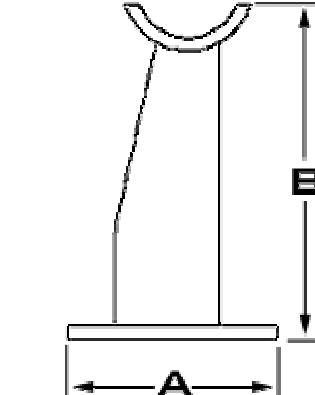
	A	B
2"	6 3/4"	9"

**310**  
BRACKET WITH MOVEABLE LEG



	A	B
2"	9"	8"

**312**  
FLOOR BRACKET



	A	B
2"	4"	6 1/2"

## Part Numbers Formula

Model Number [308] + Material [PB] + Tube Size [20] = 308PB20

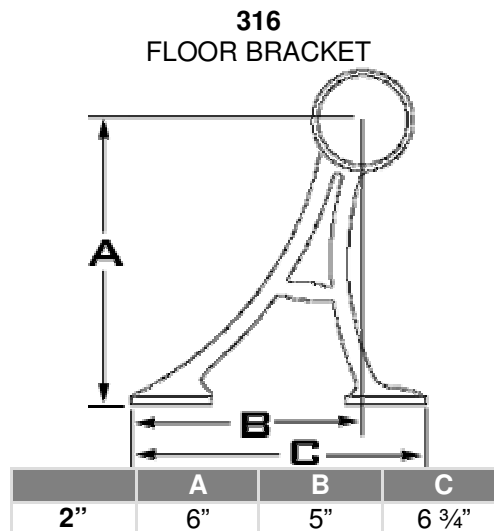
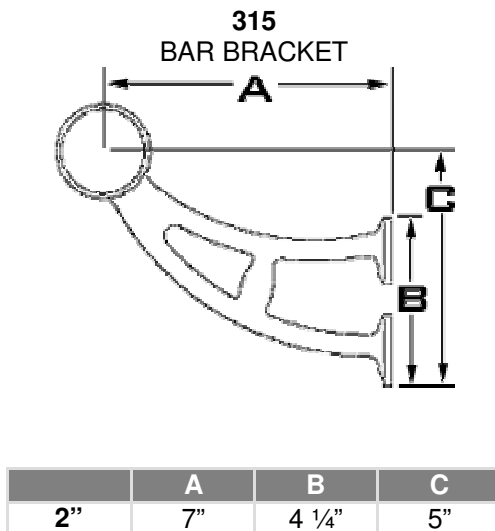
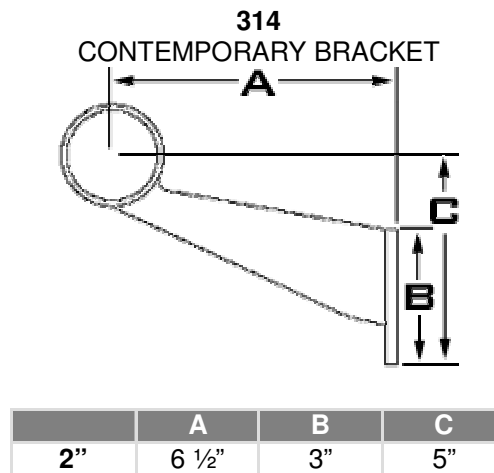
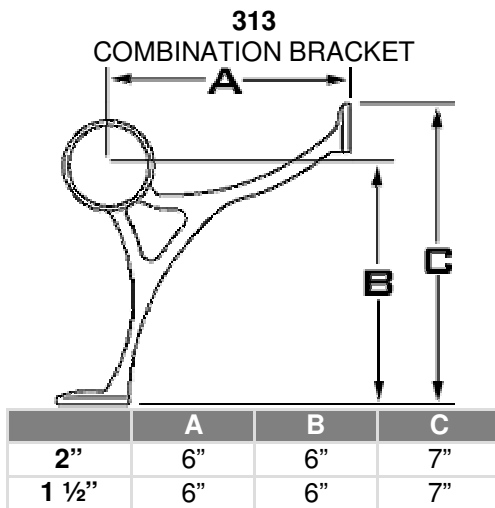
## Materials and Tube Sizes

PB = Polished Brass | PS = Polished Stainless | PK = Polished Chrome

1 1/2" Tube = 15 | 2" Tube = 20 | 1/2" Channel = 12 | 3/8" Channel = 38



# FLOOR RAIL BRACKETS



## Part Numbers Formula

Model Number [308] + Material [PB] + Tube Size [20] = 308PB20

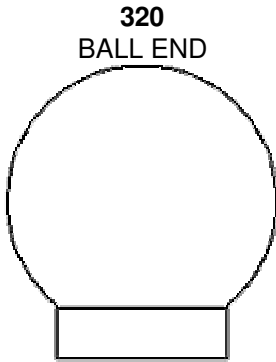
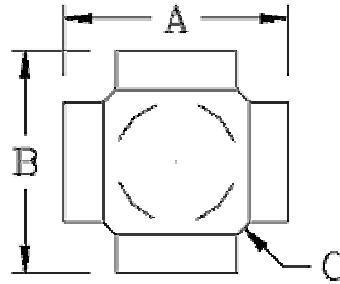
## Materials and Tube Sizes

PB = Polished Brass | PS = Polished Stainless | PK = Polished Chrome

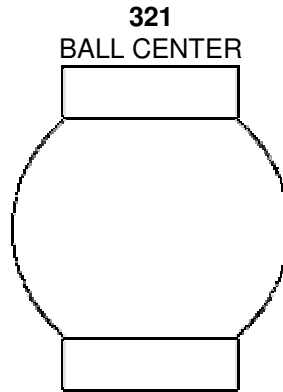
1 1/2" Tube = 15 | 2" Tube = 20 | 1/2" Channel = 12 | 3/8" Channel = 38

# BALL FITTINGS

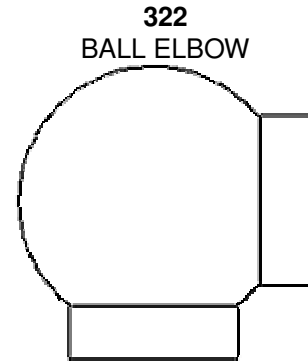
LEGEND	
A	= Width
B	= Height
C	= Ball Diameter



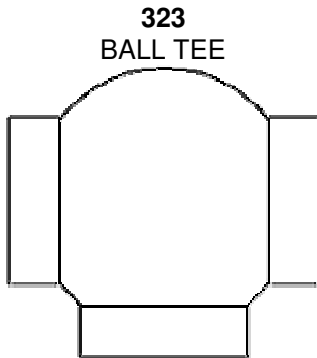
	B	C
<b>2"</b>	3 3/4"	3 1/4"
<b>1 1/2"</b>	2 3/4"	2 1/2"



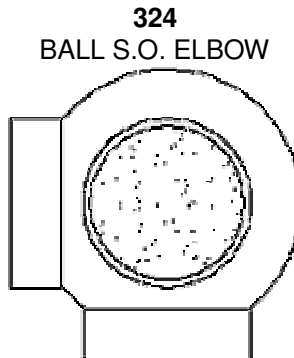
	B	C
<b>2"</b>	4 1/4"	3 1/4"
<b>1 1/2"</b>	3 1/4"	2 1/2"



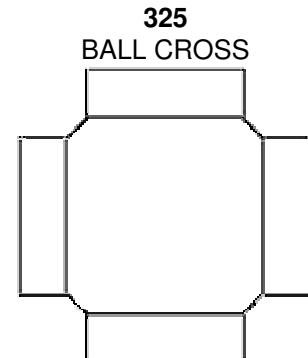
	A	B	C
<b>2"</b>	4"	4"	3 1/4"
<b>1 1/2"</b>	2 3/4"	2 3/4"	2 1/2"



	A	B	C
<b>2"</b>	4 1/4"	3 3/4"	3 1/4"
<b>1 1/2"</b>	3 1/4"	2 3/4"	2 1/2"



	A	B	C
<b>2"</b>	4"	4"	3 1/4"
<b>1 1/2"</b>	2 3/4"	2 3/4"	2 1/2"



	A	B	C
<b>2"</b>	4 1/4"	4 1/4"	3 1/4"
<b>1 1/2"</b>	3 1/4"	3 1/4"	2 1/2"

## Part Numbers Formula

Model Number [308] + Material [PB] + Tube Size [20] = 308PB20

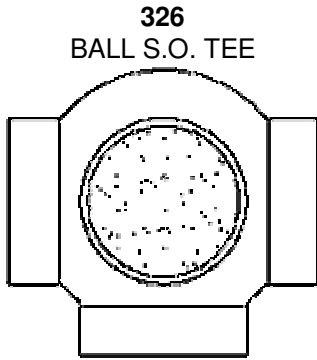
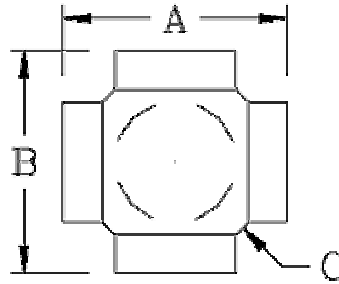
## Materials and Tube Sizes

PB = Polished Brass | PS = Polished Stainless | PK = Polished Chrome

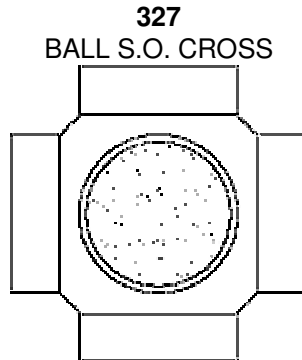
1 1/2" Tube = 15 | 2" Tube = 20 | 1/2" Channel = 12 | 3/8" Channel = 38

# BALL FITTINGS

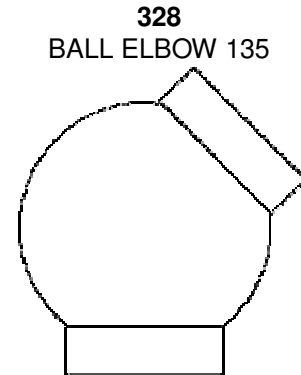
LEGEND	
A	= Width
B	= Height
C	= Ball Diameter



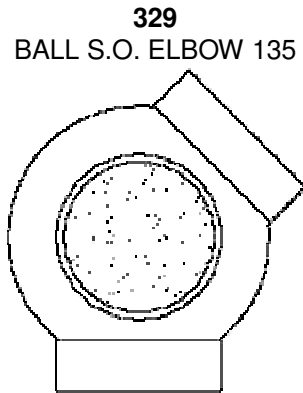
	A	B	C
<b>2"</b>	4 1/4"	3 3/4"	3 1/4"
<b>1 1/2"</b>	3 1/4"	2 3/4"	2 1/2"



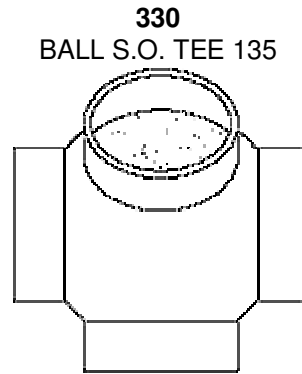
	A	B	C
<b>2"</b>	4 1/4"	4 1/4"	3 1/4"
<b>1 1/2"</b>	3 1/4"	3 1/4"	2 1/2"



	B	C
<b>2"</b>	4"	3 1/4"
<b>1 1/2"</b>	3 1/4"	2 1/2"



	B	C
<b>2"</b>	4"	3 1/4"
<b>1 1/2"</b>	3 1/4"	2 1/2"



	A	B	C
<b>2"</b>	4 1/4"	4	3 1/4"
<b>1 1/2"</b>	3 1/4"	3 1/4"	2 1/2"

## Part Numbers Formula

Model Number [308] + Material [PB] + Tube Size [20] = 308PB20

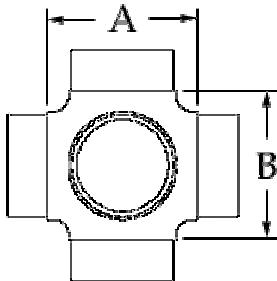
## Materials and Tube Sizes

PB = Polished Brass | PS = Polished Stainless | PK = Polished Chrome

1 1/2" Tube = 15 | 2" Tube = 20 | 1/2" Channel = 12 | 3/8" Channel = 38

# FLUSH FITTINGS

LEGEND	
A	= Width
B	= Height



**331**  
FLUSH ELBOW

	A	B
2"	2 5/8"	2 5/8"
1 1/2"	2 1/4"	2 1/4"

**332**  
CURVED ELBOW

	A	B
2"	3"	3"
1 1/2"	2 3/4"	2 3/4"

**333**  
S.O. TEE 135

	A	B
2"	2 3/4"	2 1/2"
1 1/2"	2 3/8"	2

**334**  
FLUSH S.O. CROSS

	A	B
2"	2 3/4"	2 3/4"
1 1/2"	2"	2"

**335**  
FLUSH TEE

	A	B
2"	2 3/4"	2 1/2"
1 1/2"	2 3/8"	2"

**336**  
FLUSH CROSS

	A	B
2"	2 3/4"	2 3/4"
1 1/2"	2 3/8"	2 3/8"

**Part Numbers Formula**

Model Number [308] + Material [PB] + Tube Size [20] = 308PB20

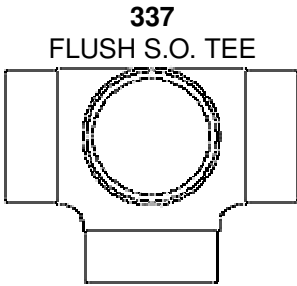
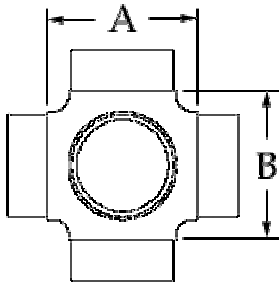
**Materials and Tube Sizes**

PB = Polished Brass | PS = Polished Stainless | PK = Polished Chrome

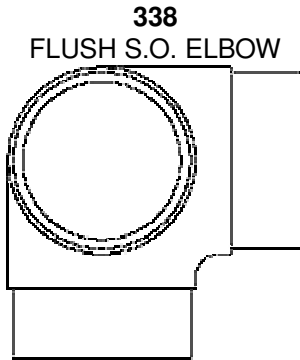
1 1/2" Tube = 15 | 2" Tube = 20 | 1/2" Channel = 12 | 3/8" Channel = 38

# FLUSH FITTINGS

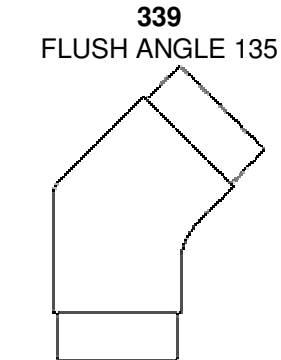
LEGEND	
A	= Width
B	= Height



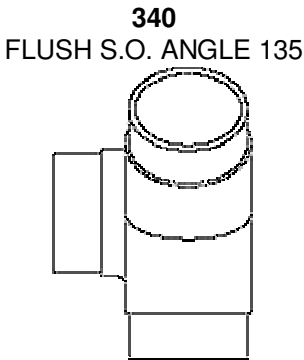
	A	B
<b>2"</b>	2 3/4"	2 1/2"
<b>1 1/2"</b>	2 3/8"	2"



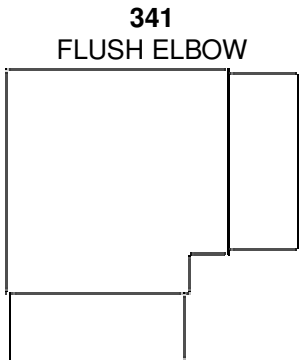
	A	B
<b>2"</b>	2 1/2"	2 1/2"
<b>1 1/2"</b>	2"	2"



	A	B
<b>2"</b>	2"	2"
<b>1 1/2"</b>	1 3/4"	1 3/4"



	A	B
<b>2"</b>	2 1/2"	2 1/2"
<b>1 1/2"</b>	2"	2"



	A	B
<b>2"</b>	3"	3"
<b>1 1/2"</b>	2 3/4"	2 3/4"

**Part Numbers Formula**

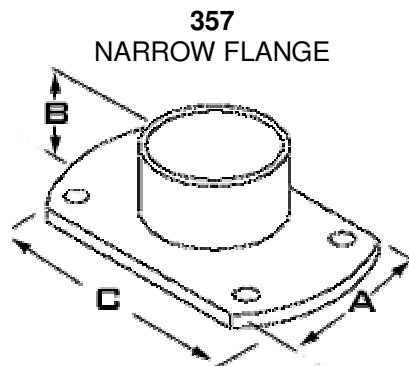
Model Number [308] + Material [PB] + Tube Size [20] = 308PB20

**Materials and Tube Sizes**

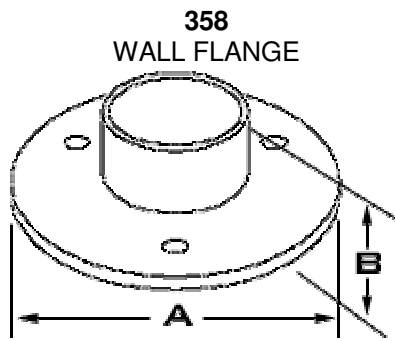
PB = Polished Brass | PS = Polished Stainless | PK = Polished Chrome

1 1/2" Tube = 15 | 2" Tube = 20 | 1/2" Channel = 12 | 3/8" Channel = 38

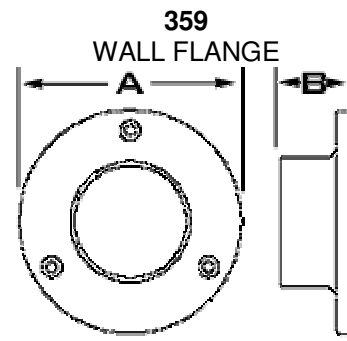
# FLANGES, FINIALS & END CAPS



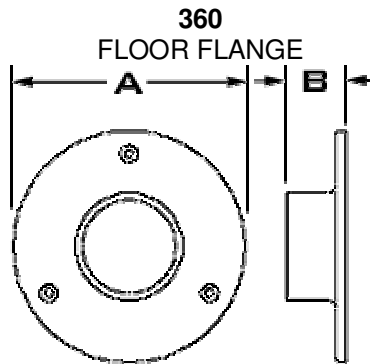
	A	B	C
<b>2"</b>	2 3/8"	1 1/4"	4"
<b>1 1/2"</b>	2"	1 1/8"	3"



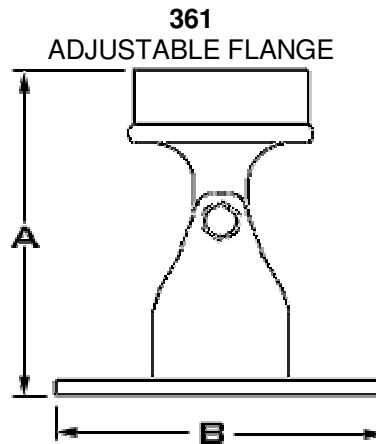
	A	B
<b>2"</b>	3 1/2"	1 1/4"
<b>1 1/2"</b>	2 1/2"	1 1/8"



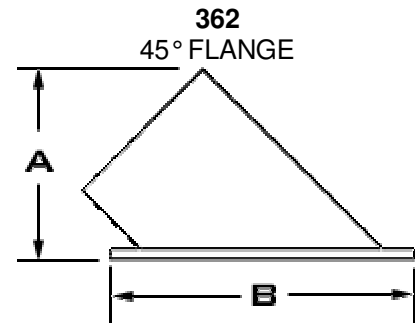
	A	B
<b>2"</b>	4"	1 1/4"
<b>1 1/2"</b>	3"	1 1/8"



	A	B
<b>2"</b>	5"	1 1/4"
<b>1 1/2"</b>	4"	1 1/8"



	A	B
<b>2"</b>	3 1/4"	4 1/4"
<b>1 1/2"</b>	3 1/4"	4 1/8"



	A	B
<b>2"</b>	2 3/4"	4"
<b>1 1/2"</b>	2 1/8"	3"

## Part Numbers Formula

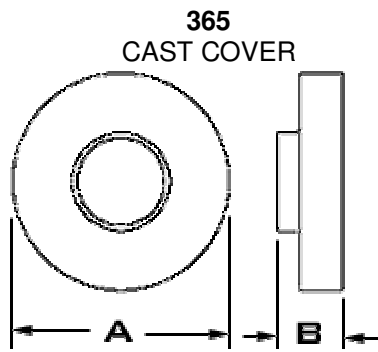
Model Number [308] + Material [PB] + Tube Size [20] = 308PB20

## Materials and Tube Sizes

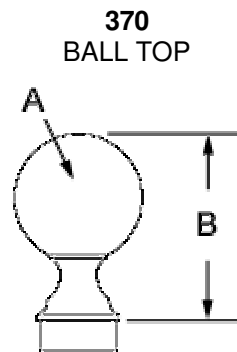
PB = Polished Brass | PS = Polished Stainless | PK = Polished Chrome

1 1/2" Tube = 15 | 2" Tube = 20 | 1/2" Channel = 12 | 3/8" Channel = 38

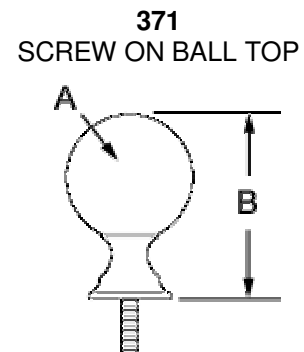
# FLANGES, FINIALS & END CAPS



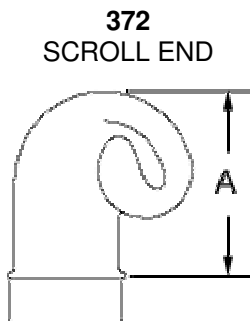
	A	B
2"	5"	1 5/8"
1 1/2"	4"	1 3/8"



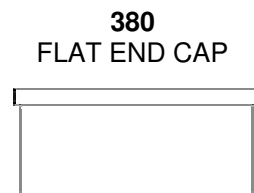
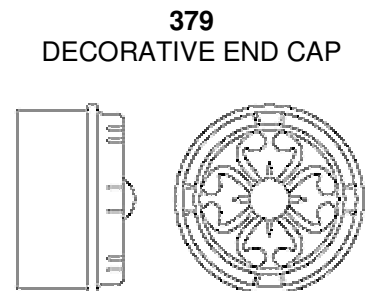
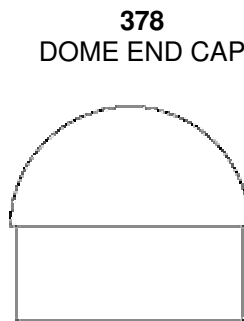
	A	B
2"	3"	4 1/2"
1 1/2"	2 1/2"	3 3/4"



	A	B
2"	3"	4 1/4"
1 1/2"	2 1/2"	3 1/2"



	A
2"	3 1/4"
1 1/2"	3"



## Part Numbers Formula

Model Number [308] + Material [PB] + Tube Size [20] = 308PB20

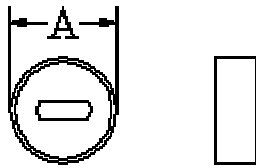
## Materials and Tube Sizes

PB = Polished Brass | PS = Polished Stainless | PK = Polished Chrome

1 1/2" Tube = 15 | 2" Tube = 20 | 1/2" Channel = 12 | 3/8" Channel = 38

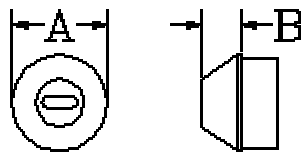
# ADAPTERS & COLLARS

**381**  
STRAIGHT ANGLE COLLAR



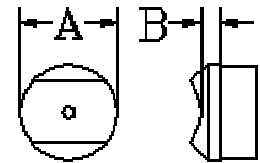
	A
2"	2 <sup>3</sup> / <sub>16</sub> "
1 1/2"	1 <sup>5</sup> / <sub>8</sub> "

**382**  
BAILEY COLLAR



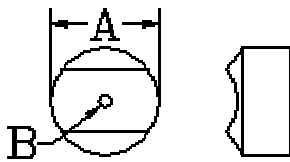
A	B
2"	7/8"
1 1/2"	1 3/4"

**383**  
INSIDE UNIVERSAL



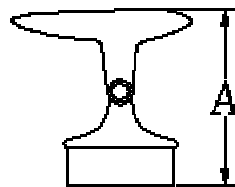
A	B
2"	3/8"
1 1/2"	3/8"

**384**  
OUTSIDE UNIVERSAL



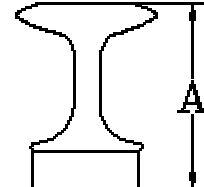
	A	B
2"	2 <sup>3</sup> / <sub>16</sub> "	1/4"
1 1/2"	1 <sup>11</sup> / <sub>16</sub> "	1/4"

**385**  
ADJUSTABLE SADDLE



	A
2"	2 3/4"
1 1/2"	2 1/4"

**386**  
STRAIGHT SADDLE



	A
2"	2 5/8"
1 1/2"	2 5/16"

## Part Numbers Formula

Model Number [308] + Material [PB] + Tube Size [20] = 308PB20

## Materials and Tube Sizes

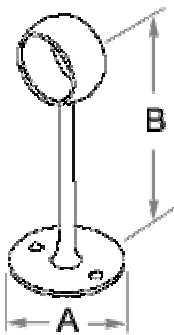
PB = Polished Brass | PS = Polished Stainless | PK = Polished Chrome

1 1/2" Tube = 15 | 2" Tube = 20 | 1/2" Channel = 12 | 3/8" Channel = 38



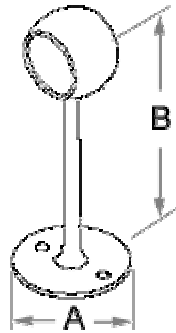
# POST FITTINGS

**349**  
TALL BALL CENTER POST



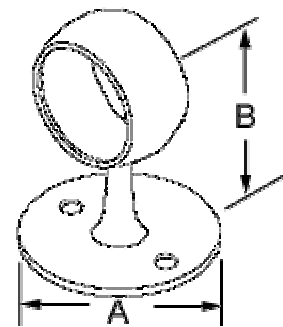
	A	B
<b>2"</b>	3 1/8"	5"

**350**  
TALL BALL END POST



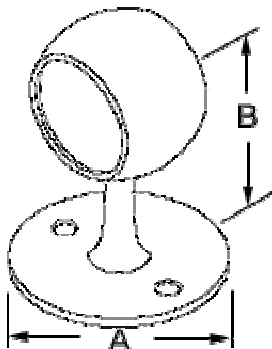
	A	B
<b>2"</b>	3 1/8"	5"

**353**  
BALL CENTER POST



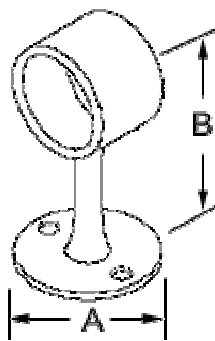
	A	B
<b>2"</b>	3 1/4"	3"
<b>1 1/2"</b>	2 1/4"	2 3/4"

**354**  
BALL END POST



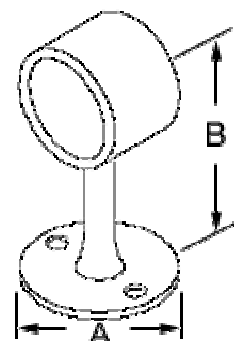
	A	B
<b>2"</b>	3 1/4"	3"
<b>1 1/2"</b>	2 1/4"	2 3/4"

**355**  
CENTER POST



	A	B
<b>2"</b>	2 5/8"	3 1/4"
<b>1 1/2"</b>	2 3/8"	2 1/2"

**356**  
END POST



	A	B
<b>2"</b>	2 5/8"	3 1/4"
<b>1 1/2"</b>	2 3/8"	2 1/2"

## Part Numbers Formula

Model Number [308] + Material [PB] + Tube Size [20] = 308PB20

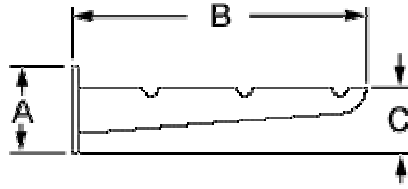
## Materials and Tube Sizes

PB = Polished Brass | PS = Polished Stainless | PK = Polished Chrome

1 1/2" Tube = 15 | 2" Tube = 20 | 1/2" Channel = 12 | 3/8" Channel = 38

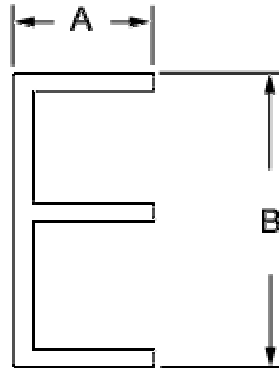
# TRAY SLIDES

**395**  
TRAY SLIDE BRACKET



A	B	C
2"	12 5/8"	1 3/8"

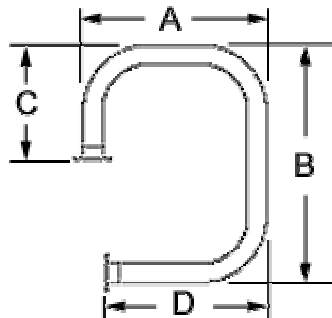
**396**  
TRAY SLIDE END



A	B
5 3/4"	9 3/8"

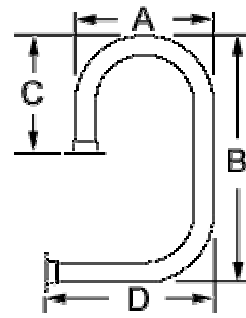
# WAITRESS STATIONS

**398**  
SQUARED OFF STATION



	A	B	C	D		A	B	C	D
<b>2"</b>	16"	21 7/8"	13 1/2"	13 3/4"	<b>2"</b>	16 3/8"	25"	12 3/4"	16 1/4"
<b>1 1/2"</b>	15 1/2"	21 3/8"	12 1/2"	12 3/4"	<b>1 1/2"</b>	14"	25"	11 1/2"	11 1/2"

**399**  
ROUNDED OFF STATION



## Part Numbers Formula

Model Number [308] + Material [PB] + Tube Size [20] = 308PB20

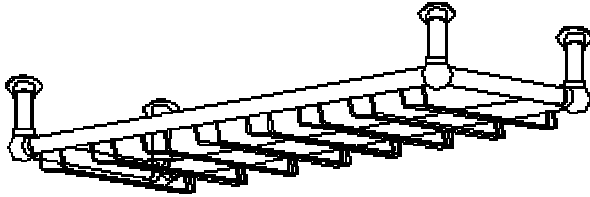
## Materials and Tube Sizes

PB = Polished Brass | PS = Polished Stainless | PK = Polished Chrome

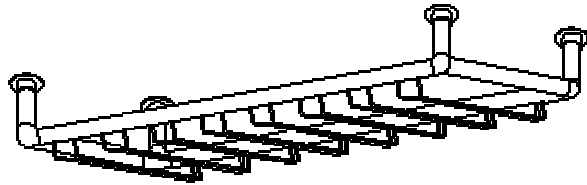
1 1/2" Tube = 15 | 2" Tube = 20 | 1/2" Channel = 12 | 3/8" Channel = 38

# STEM WARE SYSTEMS

601  
BALL DETAIL GLASS RACK



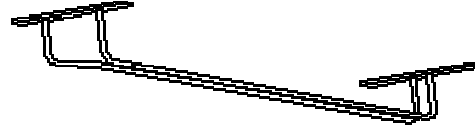
602  
FLUSH DETAIL GLASS RACK



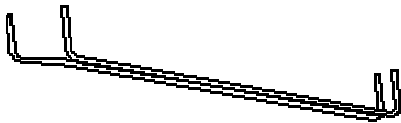
604  
CHANNEL MOUNTED GLASS RACK



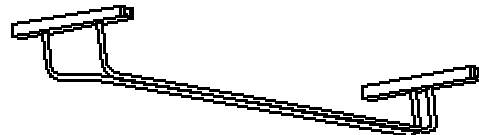
607  
FLAT BAR MOUNTED



608  
UNMOUNTED



609  
CHANNEL MOUNTED



## Part Numbers Formula

Model Number [308] + Material [PB] + Tube Size [20] = 308PB20

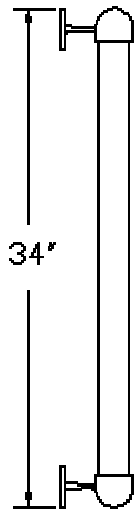
## Materials and Tube Sizes

PB = Polished Brass | PS = Polished Stainless | PK = Polished Chrome

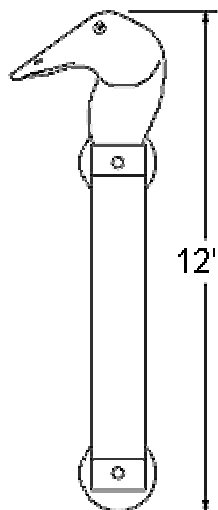
1 1/2" Tube = 15 | 2" Tube = 20 | 1/2" Channel = 12 | 3/8" Channel = 38

# DOOR HANDLES

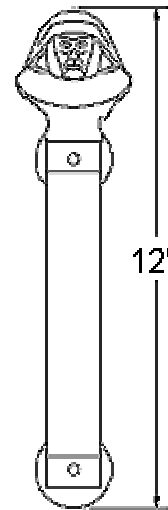
**510**  
SINGLE PUSH BAR



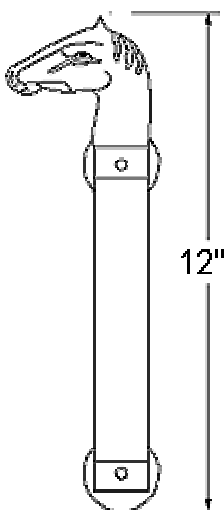
**560**  
DUCK HEAD



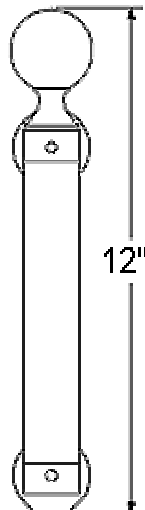
**561**  
OLD SALT



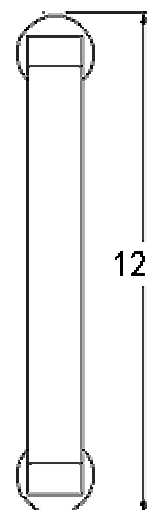
**562**  
HORSE HEAD



**563**  
BALL TOP



**564**  
MODERN



## Part Numbers Formula

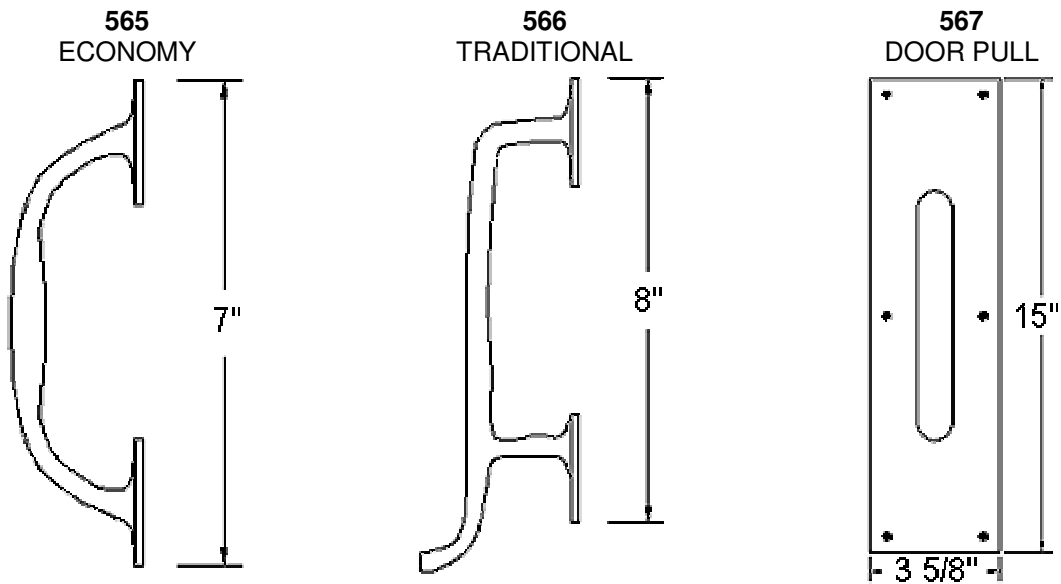
Model Number [308] + Material [PB] + Tube Size [20] = 308PB20

## Materials and Tube Sizes

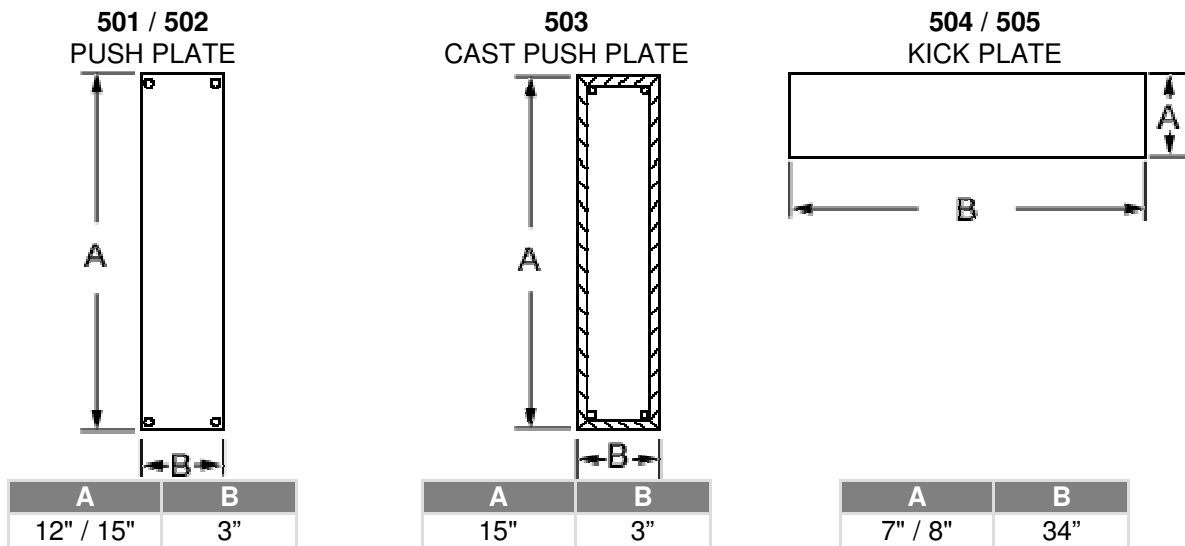
PB = Polished Brass | PS = Polished Stainless | PK = Polished Chrome

1 1/2" Tube = 15 | 2" Tube = 20 | 1/2" Channel = 12 | 3/8" Channel = 38

# DOOR HANDLES



## PUSH PLATES & KICK PLATES



### Part Numbers Formula

Model Number [308] + Material [PB] + Tube Size [20] = 308PB20

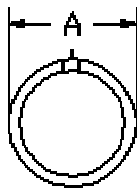
### Materials and Tube Sizes

PB = Polished Brass | PS = Polished Stainless | PK = Polished Chrome

1 1/2" Tube = 15 | 2" Tube = 20 | 1/2" Channel = 12 | 3/8" Channel = 38

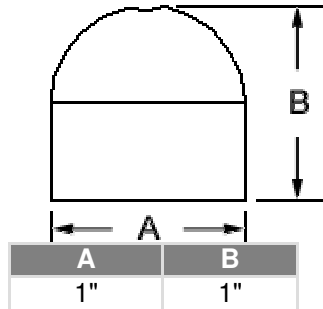
# MISCELLANEOUS

**910**  
CURTAIN RING



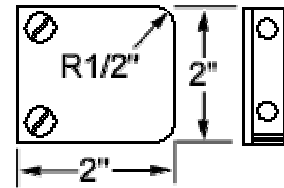
A
2"
1 1/2"
1"

**925**  
TABLE BUMPER



A	B
1"	1"

**940 / 941 / 942**  
GLASS CLIP



940 - 1/4" GLASS  
941 - 3/8" GLASS  
942 - 1/2" GLASS

**911**  
STEP DOWN SIGN



2" X 7"

**912**  
FAMILY SIGN



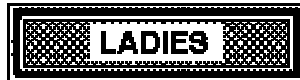
2" X 6 1/2"

**913**  
GENTLEMAN SIGN



2" X 7"

**914**  
LADIES SIGN



2" X 7"

**915**  
NONSMOKING SIGN



2" X 13 1/4"

**916**  
SMOKING SIGN



2" X 11 1/2"

**917**  
RESTROOMS SIGN



2" X 7"

## Part Numbers Formula

Model Number [308] + Material [PB] + Tube Size [20] = 308PB20

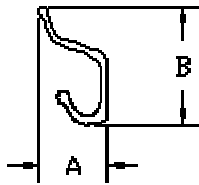
## Materials and Tube Sizes

PB = Polished Brass | PS = Polished Stainless | PK = Polished Chrome

1 1/2" Tube = 15 | 2" Tube = 20 | 1/2" Channel = 12 | 3/8" Channel = 38

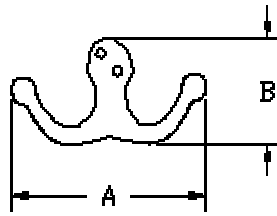
# MISCELLANEOUS

**971**  
COAT HOOK



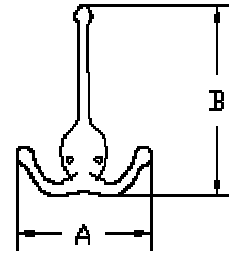
A	B
2 3/4"	3 7/8"

**972**  
COAT HOOK



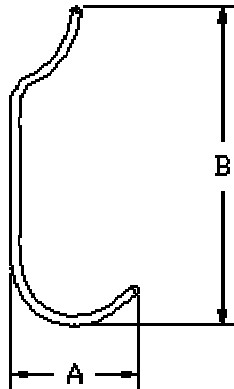
A	B
2 3/4"	1 3/4"

**973**  
COAT HOOK



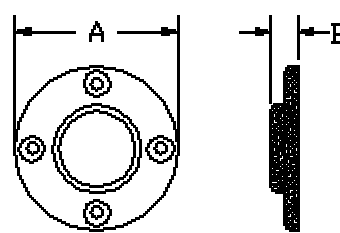
A	B
4"	6"

**974**  
COAT RACK HOOK



A	B
4 1/2"	13"

**975**  
CAST STEEL FLANGE



	A	B
<b>2"</b>	4 1/4"	13/16"
<b>1 1/2"</b>	3 5/8"	7/8"

## Part Numbers Formula

Model Number [308] + Material [PB] + Tube Size [20] = 308PB20

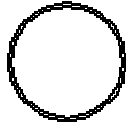
## Materials and Tube Sizes

PB = Polished Brass | PS = Polished Stainless | PK = Polished Chrome

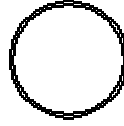
1 1/2" Tube = 15 | 2" Tube = 20 | 1/2" Channel = 12 | 3/8" Channel = 38

# ARCHITECTURAL

**701**  
ROUND BRASS TUBE



**702**  
PAINTED ROUND STEEL



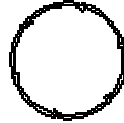
**703**  
STEEL INSERT



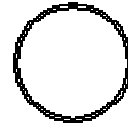
**704**  
ROUND BRASS ROD



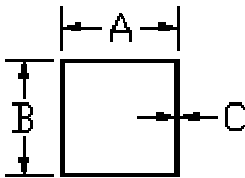
**705**  
BRASS ROPE TUBE



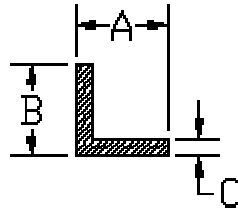
**719**  
POLISHED / STAINLESS  
STEEL TUBE



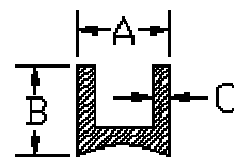
**713**  
SQUARE BRASS  
TUBE



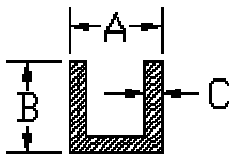
**714**  
ANGLE



**715**  
RADIUS BACK  
CHANNEL



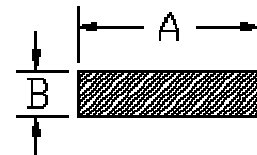
**716**  
FLAT BACK  
CHANNEL



**717**  
SQUARE BRASS  
ROD



**718**  
FLAT BAR



## Part Numbers Formula

Model Number [308] + Material [PB] + Tube Size [20] = 308PB20

## Materials and Tube Sizes

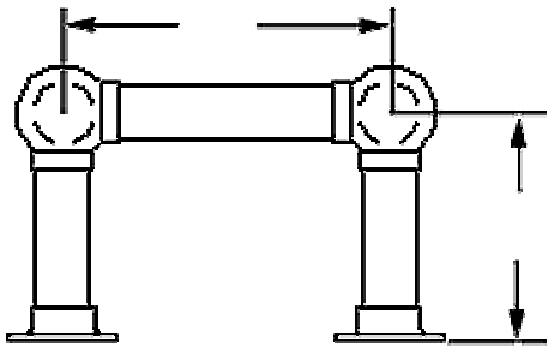
PB = Polished Brass | PS = Polished Stainless | PK = Polished Chrome

1 1/2" Tube = 15 | 2" Tube = 20 | 1/2" Channel = 12 | 3/8" Channel = 38

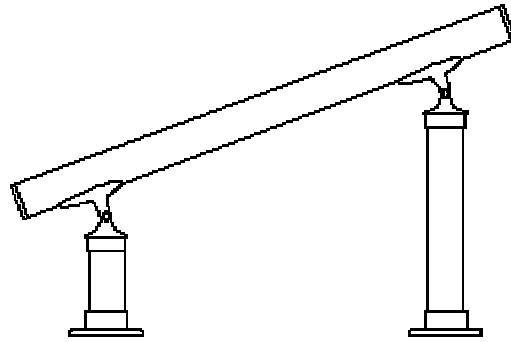


# MEASUREMENTS & ASSEMBLY

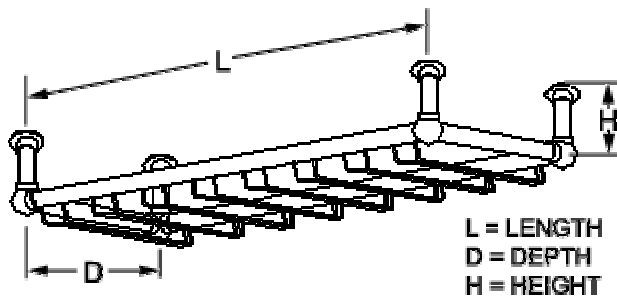
ALL TUBING & FITTING  
DIMENSIONS ARE CENTERLINE



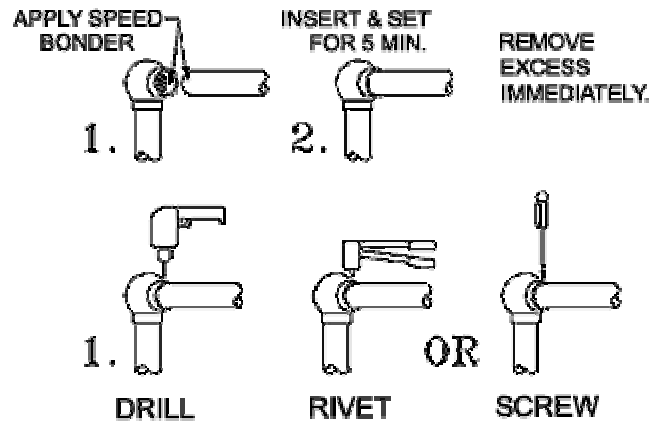
VERIFY IF FITTINGS ARE INSIDE OR  
OUTSIDE FIT BEFORE CUTTING



## GLASS RACKS



80" IS THE RECOMMENDED HEIGHT FROM  
THE FLOOR TO THE BOTTOM OF THE RACK



### Part Numbers Formula

Model Number [308] + Material [PB] + Tube Size [20] = 308PB20

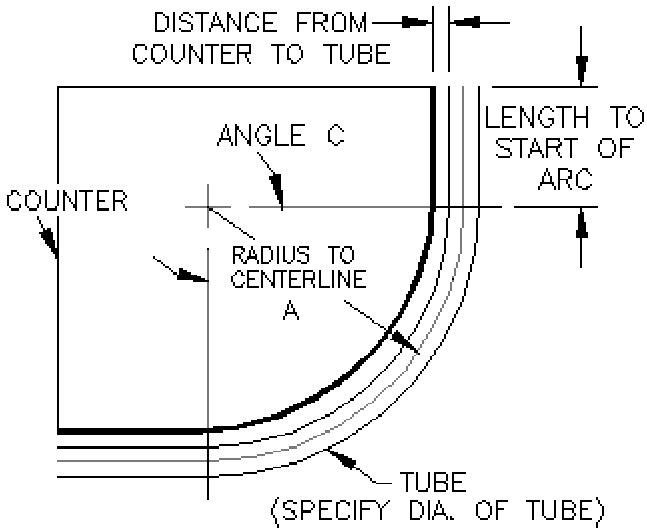
### Materials and Tube Sizes

PB = Polished Brass | PS = Polished Stainless | PK = Polished Chrome

1 1/2" Tube = 15 | 2" Tube = 20 | 1/2" Channel = 12 | 3/8" Channel = 38

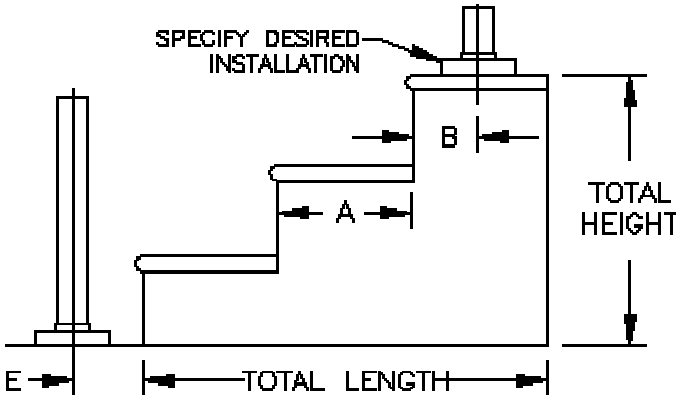
# CUSTOM BENDS

TOP VIEW



# STAIR RAILS

SIDE VIEW



## Part Numbers Formula

Model Number [308] + Material [PB] + Tube Size [20] = 308PB20

## Materials and Tube Sizes

PB = Polished Brass | PS = Polished Stainless | PK = Polished Chrome

1 1/2" Tube = 15 | 2" Tube = 20 | 1/2" Channel = 12 | 3/8" Channel = 38